

# LED Sports Light

## Installation Instructions

Lamp Type	MCB Type	Input Voltage	Quantity
480W	MCB B 16 Type	120-240VAC	4
	MCB B 32 Type	120-240VAC	9
	MCB C 16 Type	120-240VAC	5
	MCB C 32 Type	120-240VAC	11

Lamp Type	MCB Type	Input Voltage	Quantity
800W	MCB B 16 Type	120-240VAC	2
	MCB B 32 Type	120-240VAC	5
	MCB C 16 Type	120-240VAC	3
	MCB C 32 Type	120-240VAC	7

Lamp Type	MCB Type	Input Voltage	Quantity
1200W	MCB B 16 Type	220-240VAC	1
	MCB B 32 Type	220-240VAC	3
	MCB C 16 Type	220-240VAC	1
	MCB C 32 Type	220-240VAC	3

Lamp Type	MCB Type	Input Voltage	Quantity
1800W	MCB B 16 Type	200-420VAC	1
	MCB B 32 Type	200-420VAC	3
	MCB C 16 Type	200-420VAC	1
	MCB C 32 Type	200-420VAC	3

Lamp Type	MCB Type	Input Voltage	Quantity
400W	MCB B 16 Type	120-240VAC	4
	MCB B 32 Type	120-240VAC	8
	MCB C 16 Type	120-240VAC	6
	MCB C 32 Type	120-240VAC	13

Lamp Type	MCB Type	Input Voltage	Quantity
600W	MCB B 16 Type	120-240VAC	2
	MCB B 32 Type	120-240VAC	5
	MCB C 16 Type	120-240VAC	4
	MCB C 32 Type	120-240VAC	9

Lamp Type	MCB Type	Input Voltage	Quantity
960W	MCB B 16 Type	220-240VAC	1
	MCB B 32 Type	220-240VAC	3
	MCB C 16 Type	220-240VAC	1
	MCB C 32 Type	220-240VAC	3

Lamp Type	MCB Type	Input Voltage	Quantity
1500W	MCB B 16 Type	200-420VAC	1
	MCB B 32 Type	200-420VAC	3
	MCB C 16 Type	200-420VAC	1
	MCB C 32 Type	200-420VAC	3

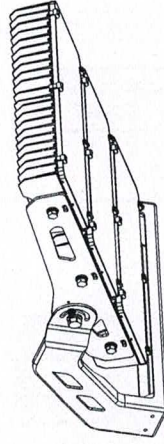
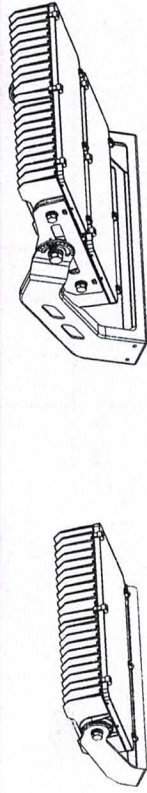
\* Maximum number of luminaires connected.  
 Disclaimer: For reference only. The quantity of luminaires per circuit breaker must be based on the electrical design that prepared (& approved) by qualified electrical system design engineer.

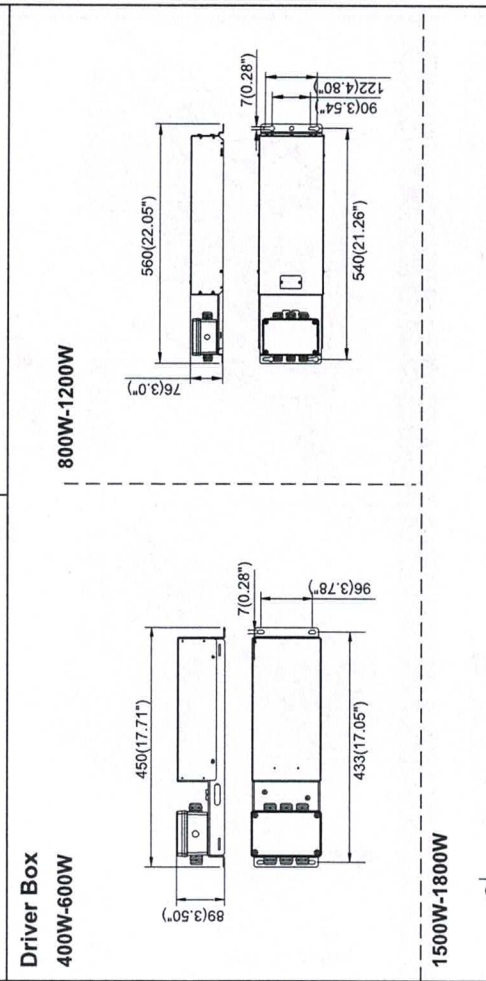
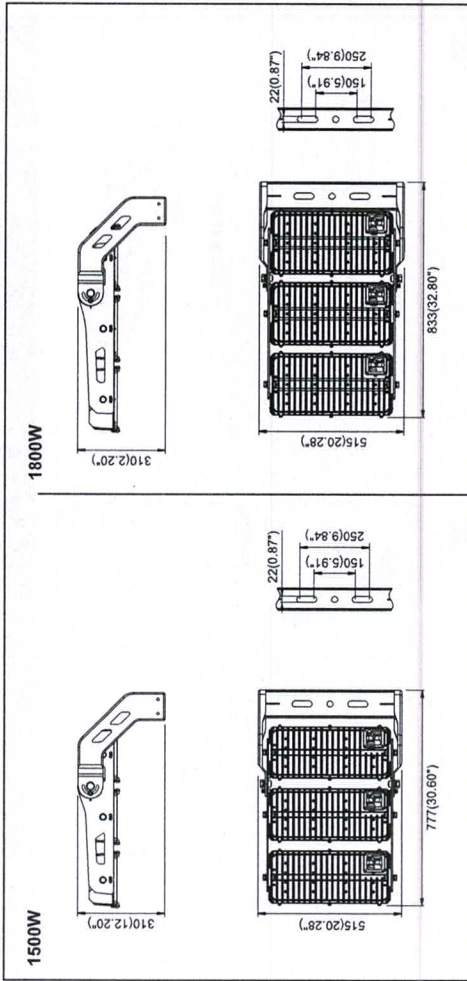
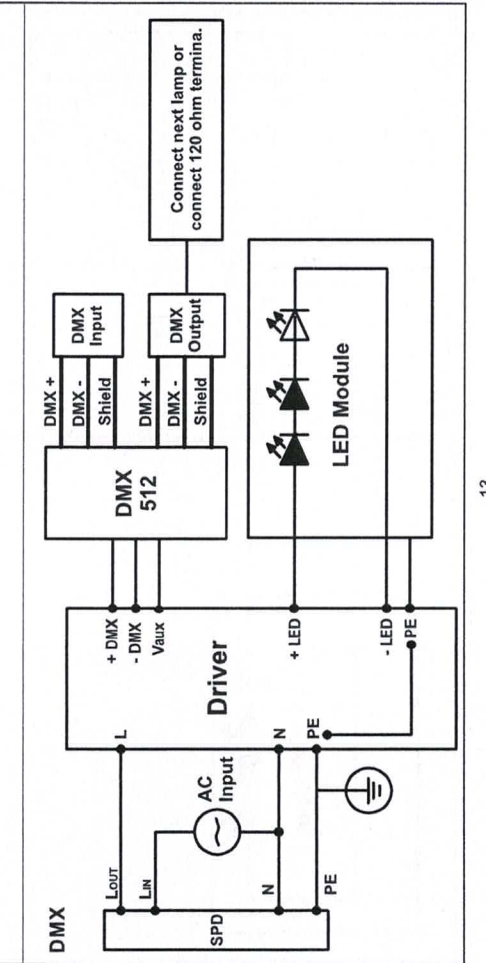
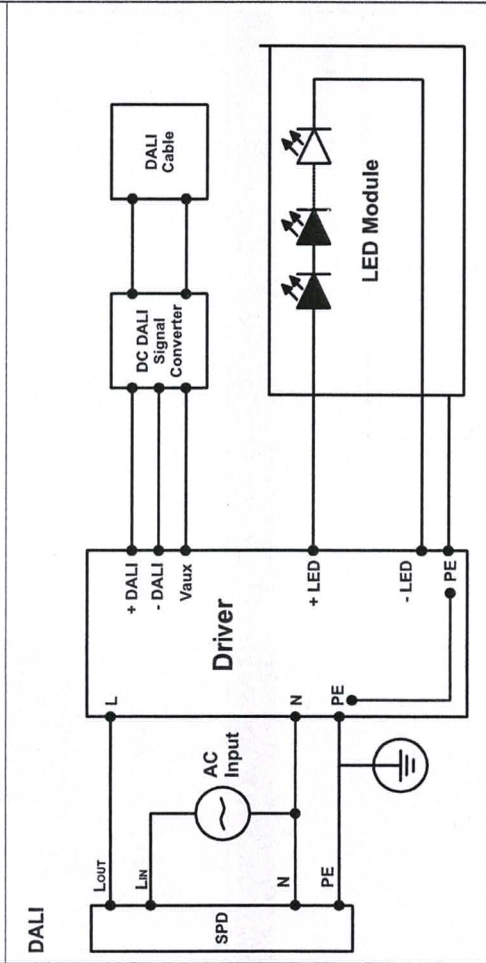
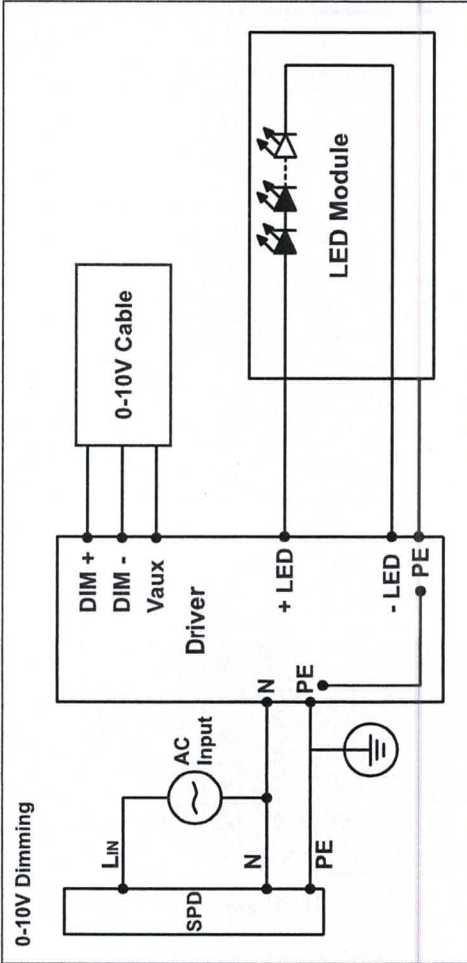
### Reminder

- We appreciate your purchase!  
 Please read the entire instruction manual before installation and keep it for future reference.
1. Please do not modify or dismantle the luminaire or replace accessories without confirming with the supplier first.
  2. Please authorize only qualified personnel to install the lamp and ensure they follow the instruction manual. Any improper installation might cause falling, electric shock, fire, or other injury, damage or hazard.
  3. Please disconnect power before installation or any maintenance of the lamp. Do not touch the power supply when the lamp is operating.
  4. If the luminaire begins to smoke or emit odors, please disconnect power since fire or electric shock may occur. And ask qualified person to inspect and maintain the luminaire.
  5. If the external flexible cable or cord of this luminaire is damaged, it shall be exclusively replaced by the manufacturer or his service agent or a similar qualified person in order to avoid a hazard.
  6. The light source contained in this luminaire shall only be replaced by the manufacturer or his service agent or a similar qualified person.
  7. We suggest you adding a separate surge protection device in distribution box to extend luminaire lifespan.

### Applications

1. The product is designed for square, stadium, exhibition center, soccer field, tennis court and similar applications. For other special applications, please consult your salesperson to confirm firstly.
2. Too much dust or oil accumulation on PC lens will stop the lighting emit and heat dissipation, it will change lighting distribution, and cause high heat inside to affect LED chips performance. For such environments, we suggest you to clean the luminaire regularly to ensure longer lifespan. Or you need to use product with glass cover and better heat performance instead.
3. The suggested mounting height of the luminaire is 6-30m.

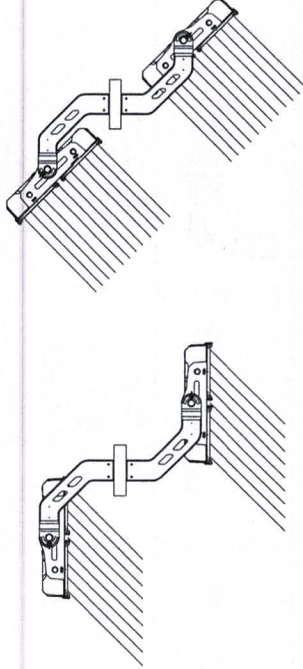
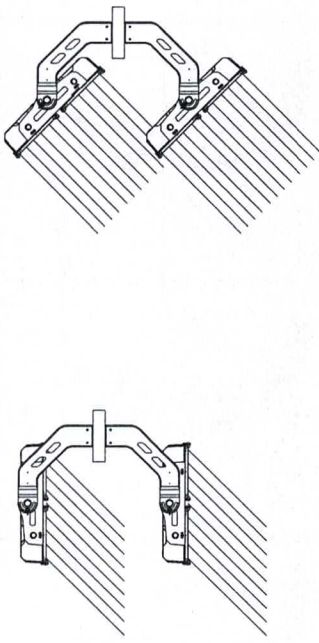




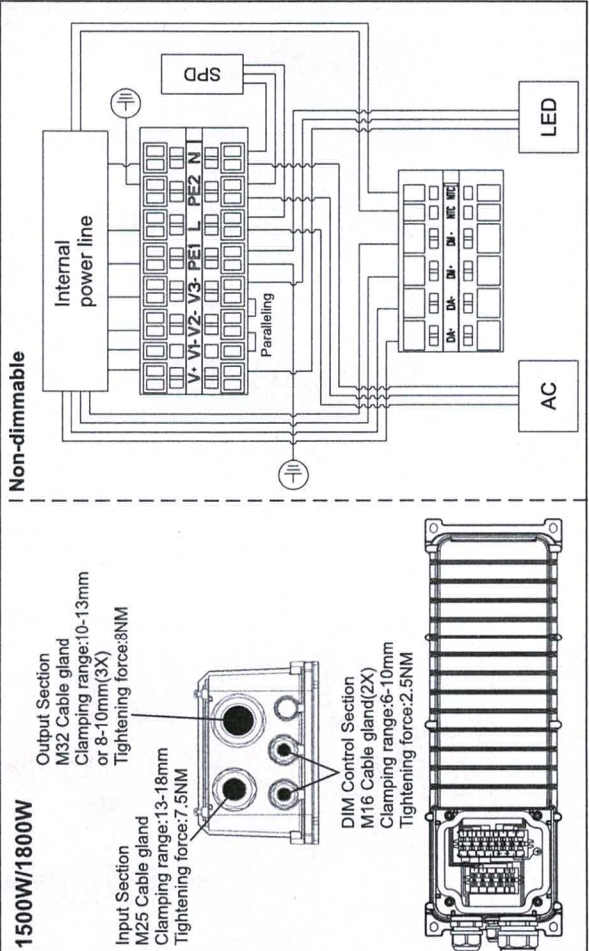
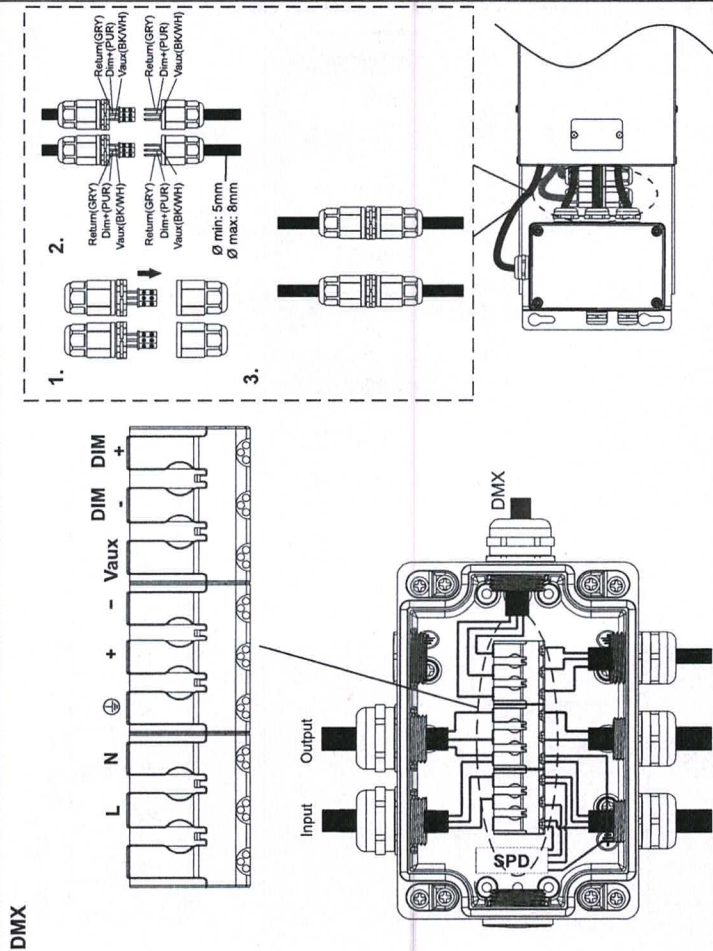
Life	T <sub>a</sub> (°C)		
	25°C	30°C	40°C
L70	100000	100000	100000
L80	100000	100000	100000
L90	100000	100000	83000

**Unit: hrs**  
Please read the relevant data carefully, which may be helpful for your installation

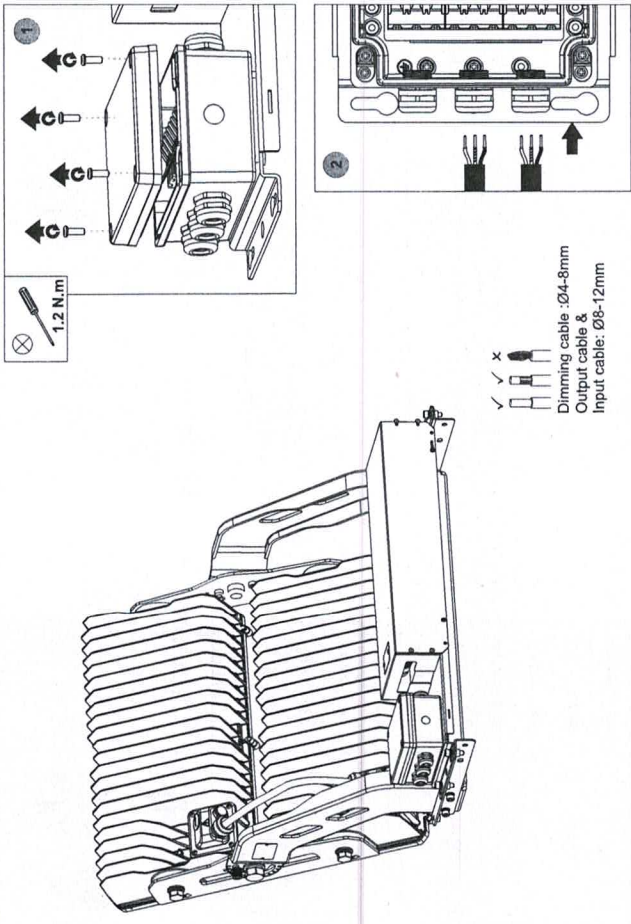
**Positions Not Allowed**



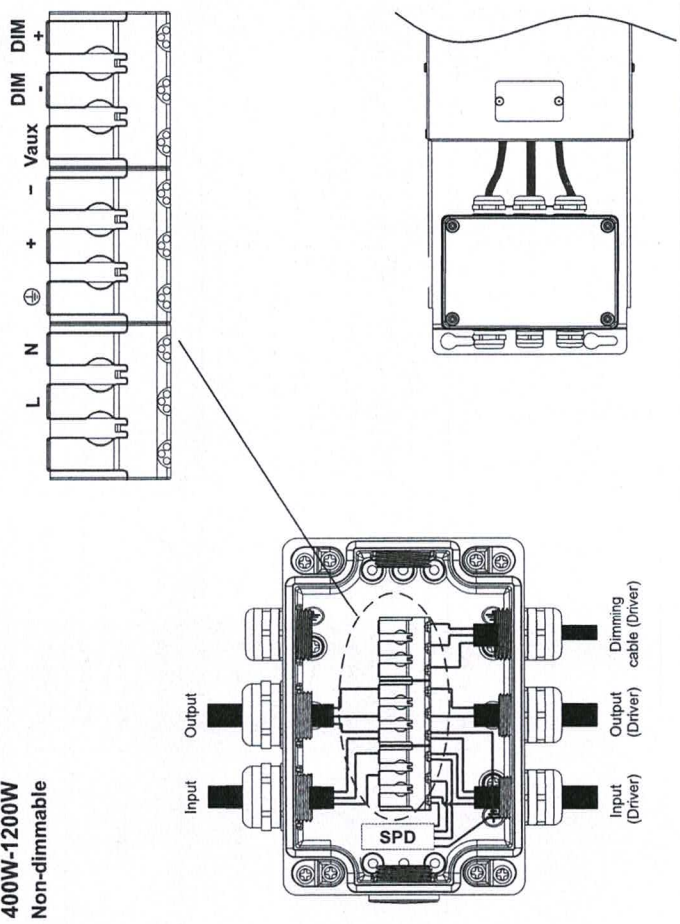
Lens Type	F0-4001X	F04001Z	F0-4002
Mounting Angle (Aiming Devise Bracket)	49.5°	45°	9°
Photometric Data (For Mounting Angle)			
Photometric Data (For Lens)			
Luminaire mounting type			



### Junction Box Wiring

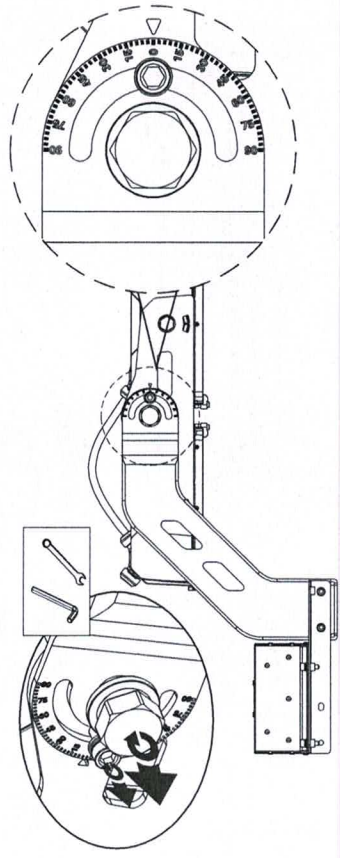


### 400W-1200W Non-dimmable

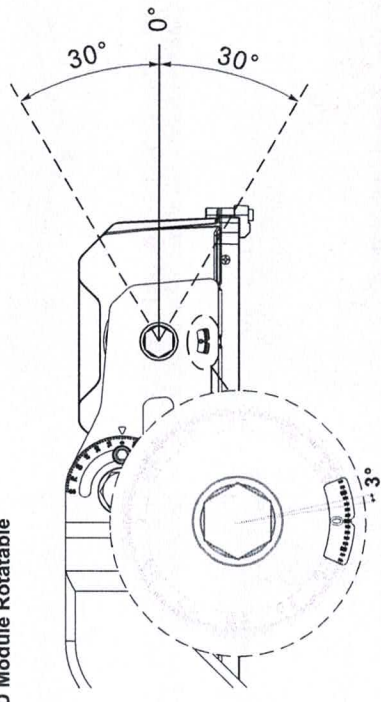


### Rotatable Modules

#### Whole LED Modules Rotatable



#### Single LED Module Rotatable



### Aiming Device Mount

M4  
 $1.2 \text{ N.m}$

